



**WESEM**



*plastic  
housing*



*metal  
housing*



*headlamps*

$\phi$  161

*0217, 0219*

*designed for vehicles* **Ursus, Zetor, Melex**

*R2 or H4*

*fixed on the shaft*

### Construction and parameters

#### Application

Particularly recommended for tractors and slow-moving vehicles.

#### Construction

- metal reflector
- glass lens
- black plastic housing (option)
- metal housing (option)
- mounting bracket (shaft)
- main bulb spring
- parking light bulb gasket
- parking light bulb holder
- bulbs (option)

#### Additional features

The wiring runs through the length of the mounting bolt.

#### Bulbs

Fit bulbs type:

- R2 12V 45/40W or R2 24V 55/50W
- H4 12V 60/55W or H4 24V 75/70W
- T4W 12V or 24V (BA9s cap)

#### Useful parts while installing

- Main bulb gasket - catalogue No. A.05820.
- Parking light bulb holder - catalogue No. A.05921.
- Main bulb mounting block - catalogue No. A.07128.

#### Recommendation

Headlamp should be attached to the vehicle using a galvanized steel sleeve of 18 mm diameter (included with a lamp).

#### Parameters

The driving light reference mark of headlights equipped with R2 bulb, which specifies the light's maximum luminous intensity is 7.5 (it is about 37.5 lx within distance of 25 m).  
The driving light reference mark of headlights equipped with H4 bulb, which specifies the light's maximum luminous intensity is 12.5 (it is about 60 lx within distance of 25 m).

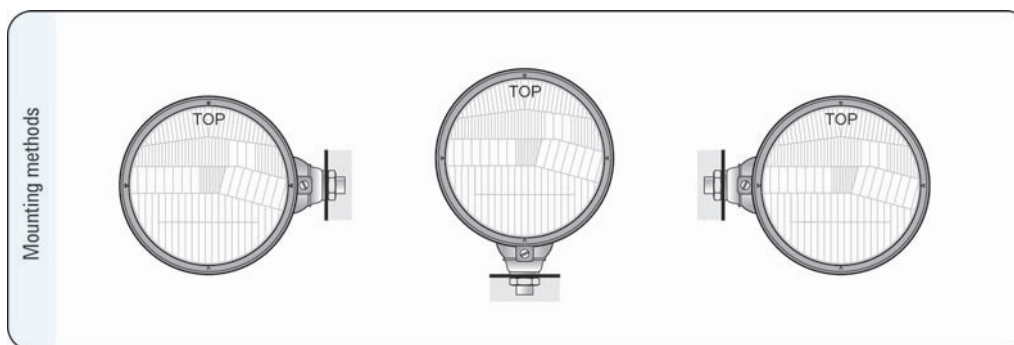
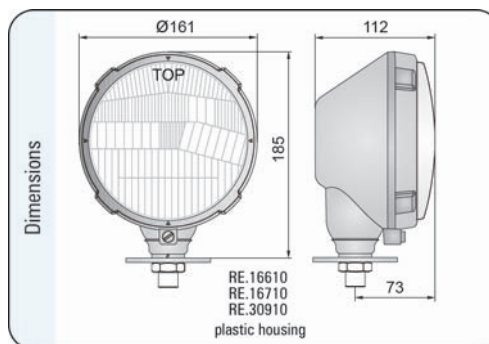
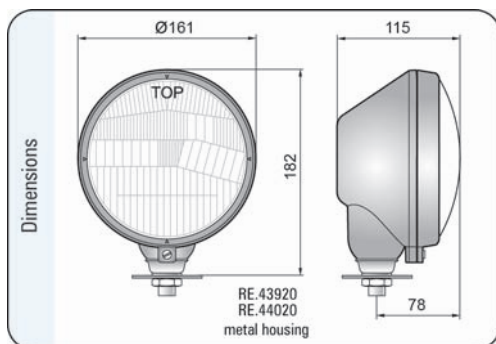
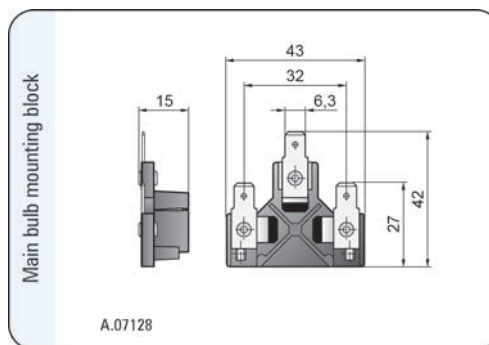
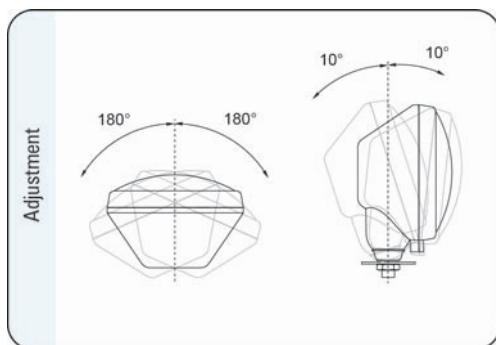
#### Dedicated application

A- Tractors:

- Ursus: C-300, C-4000
  - Zetor: 2011, 3011, 3511, 4011, 6711
  - Pronar Zubron 2032A
- A- electric vehicle Melex 252

Cat. number	Zelmot Catal. No.	Homologation code	Light function			Type	H4	R2	Accessories				Additional options		Application	Mounting method		Packaging / pc	carton box
			passing light	driving light	parking light				bulb H4 12V	bulb R2 12V	bulb T4W	bulb gasket	cable	plastic housing		metal housing	universal		
RE.13910	0217.2.000.5	032	*	*	*		*						*	*	A	*		1	
RE.39410		032	*	*	*		*		*	*			*	*	A	*		1	
RE.16510		212	*	*	*		*						*	*	A	*		1	
RE.03210	0217.2.000.6	032	*	*	*		*						*	*	A	*	*	1	
RE.39310		032	*	*	*		*		*	*			*	*	A	*	*	1	
RE.21210		212	*	*	*		*						*	*	A	*	*	1	
RE.16710		032	*	*	*		*						*	*	A	*	*	1	
RE.30910		032	*	*	*		*		*	*			*	*	A	*	*	1	
RE.16610		212	*	*	*		*						*	*	A	*	*	1	
RE.44010	0217.2.000.1	032	*	*	*		*						*	*	A	*	*	1	
RE.43910	0219.2.000.3	212	*	*	*		*						*	*	A	*	*	1	
RE.44000	0217.2.000.2	032	*	*	*		*						*	*	A	*	*	1	
RE.43900	0219.2.000.4	212	*	*	*		*						*	*	A	*	*	1	
RE.44020	0217.2.000.3	032	*	*	*		*						*	*	A	*	*	1	
RE.43920	0219.2.000.8	212	*	*	*		*						*	*	A	*	*	1	

Homologation code means identifier of certification number.



- headlamps
- additional lamps
- work lamps
- special lamps
- signalling lamps
- bicycle lamps
- accessories
- transportation