



work lamps

ϕ 160

LOR1

halogen H3

switch

handle

LOR1

Construction and parameters

Application

Work lamps are used to illuminate working space near vehicles, tractors, slow-moving machines, and any other places where 12V or 24V power is available.



Construction

- metal reflector
- plastic housing with a handle or without
- stone guard made of plastic (option)
- glass or polycarbonate lens
- twist-and-tilt mounting bracket
- rocker switch (option)
- bulb (option)

Additional features

The mount permits easy aiming in any direction.

Other versions

LOR1 work lamps equipped with polycarbonate lens available on request.
Versions with bulb available on request.

Bulbs

Fit bulbs type:
H3 12V 55W
H3 24V 70W - for lamp equipped with glass lens only

Recommendation

Do not use over 55W bulbs if the lamp is equipped with polycarbonate lens.

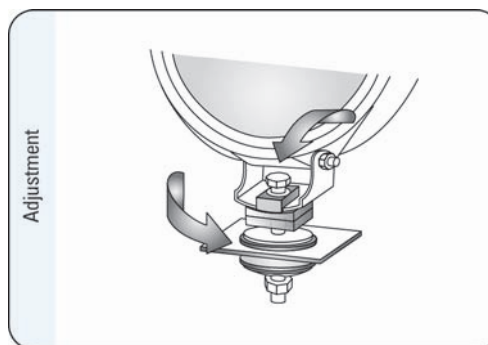
Mounting methods

They can be installed in any position.

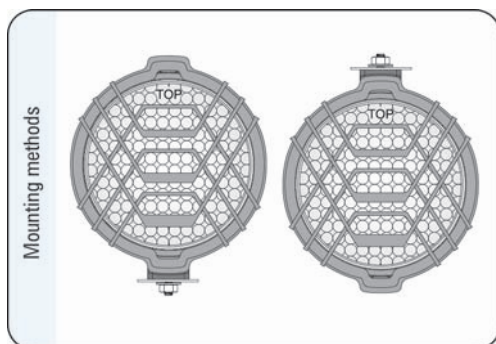
Cat. number	Type	H3	F2	P21W	Lens	glass	polycarbonate	Accessories	bulb H3 12V	bulb H3 24V	handle	switch	stone guard	cable	shock absorber	omega bracket	hermetic grommet	connector	AMP connector	Deutsch connector	Application	universal	dedicated	Mounting	bracket	spoiler / recess	Packaging / pc	blister pack	carton box
LOR1.23023	*				*	*															*	*		*				1	
LOR1.29923	*				*	*						*									*	*		*				1	
LOR1.28423	*				*	*					*	*									*	*		*				1	
LOR1.06223	*				*	*					*	*	*								*	*		*				1	



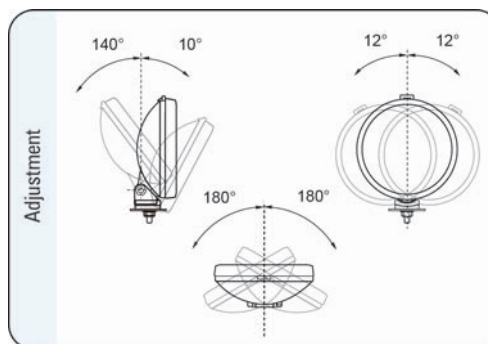
Switch



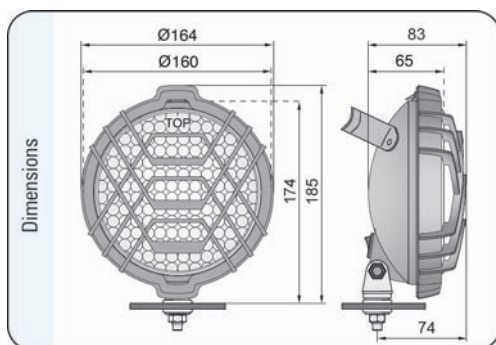
Adjustment



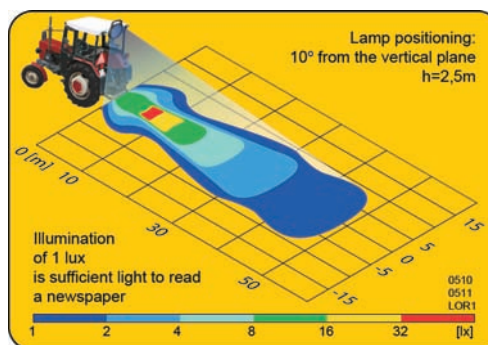
Mounting methods



Adjustment



Dimensions



- headlamps
- additional lamps
- work lamps
- special lamps
- signalling lamps
- bicycle lamps
- accessories
- transportation